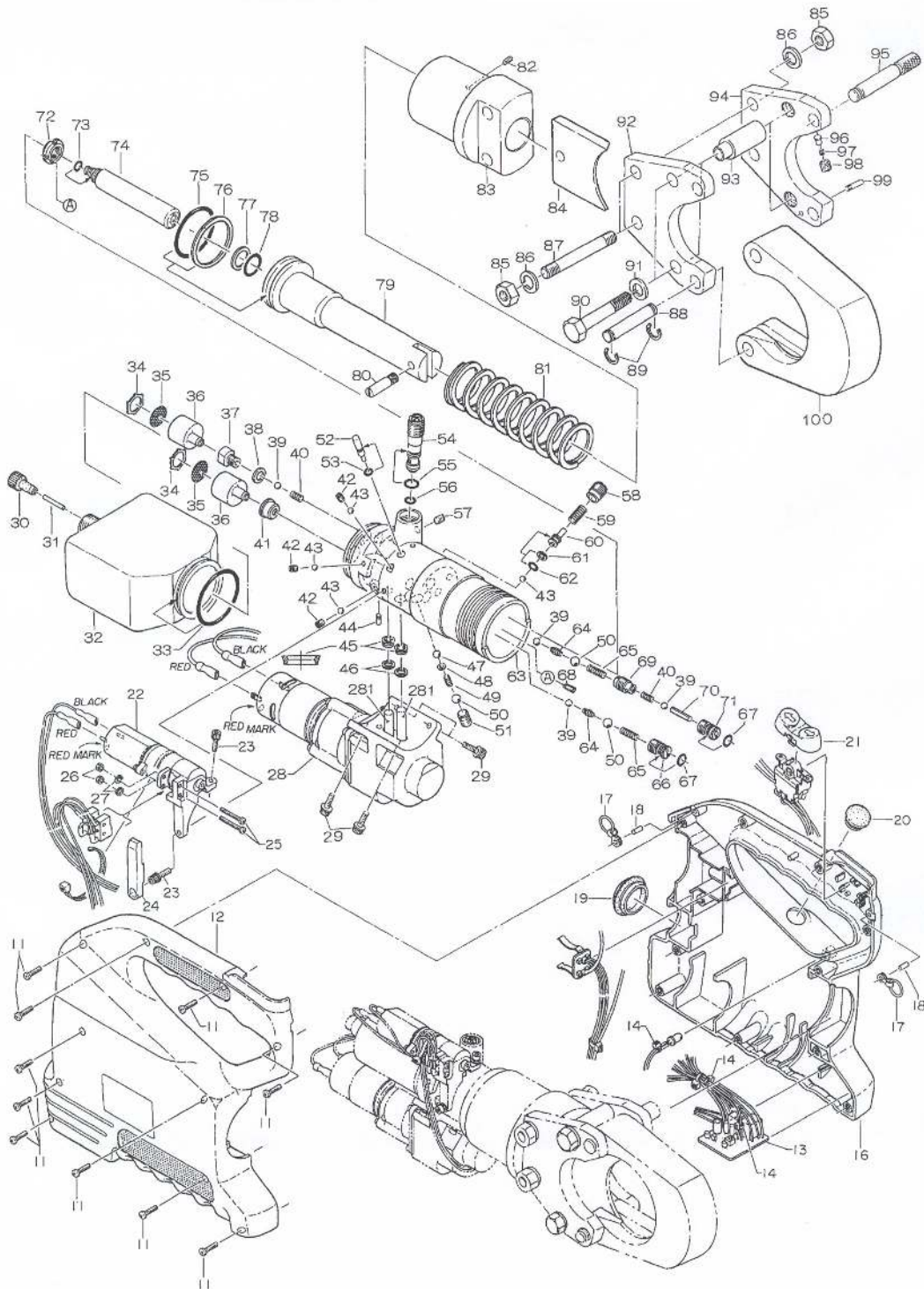




Huskie TOOLS

REC-S3550 BREAKDOWN



REC-S3550 PARTS LIST

NO.	DESCRIPTION	CODE	QTY.	NO.	DESCRIPTION	CODE	QTY.
11	M4 X 15 Screw	R150-01	10	60	Reduction Valve	351-15	1
12	Housing (R)	351-01	1	61	P-5 Back-Up Ring (B.C.)	E3-126	1
13	Control Unit	351-02	1	62	P-5 O-Ring	5N-35	1
14	Binder	HR-30	3	63	Body	S355-03	1
16	Housing (L)	351-03	1	64	Spring (66)	85-40	2
17	Hanging Ring Ass'y	ROB-101A	2	65	Spring (67)	85-39	2
18	4 X 12 Parallel Pin	351-04	2	66	Valve Screw (1)	R510A-09	1
19	Oil Feed Cap	351-05	1	67	P-7 O-Ring	16-60	2
20	Cartridge Cap	ROB-103	1	68	M4 X 10 Screw	46M-04	1
21	Switch Knob	351-06	1	69	Valve Screw (2)	351-18	1
22	Release Unit	351-07	1	70	2.5 X 20 Drive Pin (AW)	32-13	1
23	M4 X 10 Screw	351-08	2	71	Valve Screw (3)	351-19	1
24	Protector	S355-01	1	72	Stopper Nut	351-30	1
25	M2.3 X 25 Screw	ROB-86	2	73	S-5 O-Ring	351-20	1
26	M2.3 Hex Nut	P500-22	2	74	Inner Pipe	S355-04	1
27	M2.5 Lock Washer	HR-16	2	75	P-42 O-Ring	9H-17	1
28	Power Unit	351-09	1	76	P-42 Back-Up Ring (B.C.)	510-18	1
29	M4 X 14 Screw (Ni)	ROB-128B	4	77	P-18 Back-Up Ring (B.C.)	7R-37	1
30	Reservoir Cap	410-55	1	78	P18 O-Ring	S355-05	1
31	Magnet	ROB-25	1	79	Ram	S355-06	1
32	Oil Reservoir (39)	S355-02	1	80	Blade Screw	32-09	1
33	P-40 O-Ring	700S-27	1	81	Ram Spring (469)	45A-07	1
34	SI-20 Ring	410-74	2	82	M5 X 8 Nylock Screw (D.P)	85F-03	1
35	Filter Screen	410-73	2	83	Body Head	S355-07	1
36	Strainer	9H-43A	2	84	Blade	55A-10	1
37	Strainer Bushing (1)	351-11	1	85	M12 Hex. Nut	55-14	4
38	Copper Gasket (20)	100W-17	1	86	M12 Lock Washer	40-09	4
39	3/16" Ball	16-49	4	87	Stud Bolt (15)	55-15	2
40	Spring (340)	51-27	2	88	Pin (48)	55-08	1
41	Strainer Bushing (2)	ROB-82	1	89	CE-12 Snap Ring	55-09	2
42	M5 X 5 Screw (F.P.)	510A-05	3	90	M10 X 55 Bolt	55A-09	2
43	5/32" Ball	22-21	4	91	M10 Lock Washer	40-32	2
44	3 X 8 Dowel Pin (D)	610F-11	1	92	Support Plate (1)	55A-08	1
45	PS-8 Pent Seal	16-44	2	93	Spacer	55A-07	2
46	P-8 Back-Up Ring (B.C)	85-33	2	94	Support Plate (2)	55A-06	1
47	7/32" Ball	16-26	1	95	Lock Pin	55A-02	1
48	M3 Flat Washer	16-38	1	96	Stopper Pin	55A-03	1
49	Spring (76)	16-39	1	97	Spring (140)	55A-04	1
50	9/32" Ball	16-40	3	98	Set Screw	300-75	1
51	M10 X 12 Screw (F.P.)	40-47	1	99	4 X 16 Dowel Pin (E)	40A-04	1
52	Release Pin	351-12	1	100	Head Shear	55A-01	1
53	P-3 O-Ring	16-36	1	281	Pump Piston (2)	P500-10	2
54	Valve Cartridge	R510-18C	1				
55	S-9 O-Ring	410-71	1				
56	P-8 O-Ring (B)	700S-15	1				
57	M5 X 5 Screw	300-73	1				
58	Valve Screw (4)	351-13	1				
59	Spring (595)	351-14	1				