

HUSKIE TOOLS, INC.



**Operating Instruction Manual
For R-14EAD 3/4 HP, 10,000 psi
Double Acting Hydraulic Pump
with Parts List**

R-14EAD SPECIFICATIONS

SPECIFICATIONS

Weight	75 lbs.
Size	
Motor Size	3/4HP-8.2 Amp
Delivery@300 psi	157 cu/in/min
Delivery@10,000 psi	36 cu/in/min
Oil Capacity	182 cu/in

3/4 HP, 10,000 psi DOUBLE ACTING HYDRAULIC PUMP

- **Remote Operation Allows Full Operator Control**
- **Manual and Automatic Mode for Additional Versatility**
- **3/4 HP Rating**
- **Low Amperage Requirement**

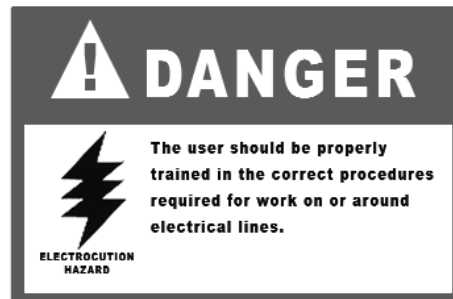


READ

Instruction Manual
and Product Decals
before use.



Keep Fingers Out Of Pinch
Areas
Always Wear Safety Glasses



The User Should Be Properly
Trained in the Correct
Procedures Required For Work
Around Electrical Lines.



Secure Latch Before Operating
Failure To Secure Latch can
Result In Severe Tool Damage
And Personal Injury.



Do Not Operate Without Dies

GENERAL INFORMATION AND TROUBLESHOOTING

1. The R14EAD is a larger remotely controlled automatic pump with a few more features than the R14EF unit. This unit has an auto mode which when activated runs the unit up to pressure and automatically releases the pressure when 10,000 psi or predetermined pressure is reached and the oil is dumped back to the oil reservoir. This pump is used for production cutting or compressing applications where portability is not a factor.
2. When attaching hoses, please be sure all couplers are securely fastened. 90% of problems arise out of a loose coupler connection. If the unit fails to pump or retract, the problem usually lies with the couplers.
3. Always keep couplers clean by wiping oil and debris from surfaces before connecting hoses to pump or tool.
4. Never move pump by pulling on the electrical cords.
5. Occasionally check the fluid level of the pump. See individual pump operating instructions for proper oil level. When adding fluid, always use EP-32X or equivalent hydraulic fluid.
6. Always open the air breather vent cap on the oil filler port before operating the tool. This will eliminate the problem of a vacuum situation when the oil is pumped from the tank. Always close the air vent when storing to eliminate the problem of oil leakage if the unit is turned over.
7. Pressure setting is preset at 10,000 psi but can be changed to lower settings if desired. An in-line gauge(Huskie PG-1) should be used periodically to determine your required operating pressure. Consult factory for proper adjusting procedure.

OPERATING INSTRUCTIONS FOR R14E-AD

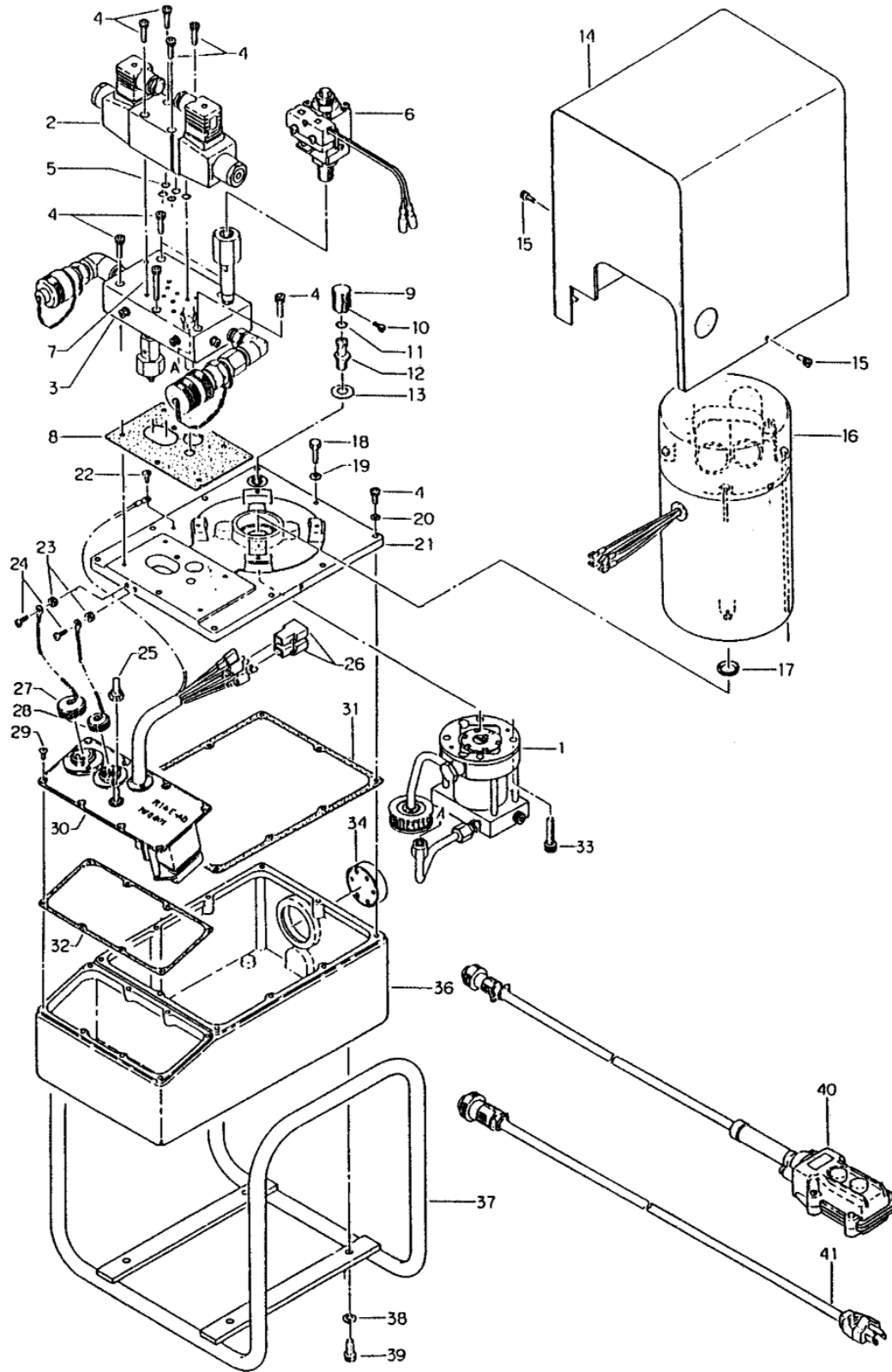
1. Connect all couplers on tool, hose and pump. Make sure all couplers are secure before operating.
IMPORTANT: Be sure both pressure and return lines match the corresponding ports on tool and pump!
2. Set the control switch located on the front panel of the pump to “HAND” position.
3. Unscrew dust cap of the receptacle located on the front panel of the pump. Then insert the plug of remote control switch tightly and screw the ring onto receptacle thread.
4. Connect power cable to the pump in the same manner as described in number 3 and supply power (110 Volt AC).
5. Unscrew Air breather located on the back side of reservoir, counter-clockwise before operation. Tighten for storage.
6. **HAND OPERATION**
 - 6-1 By pressing “UP” button, motor will begin to run, generating oil flow and tool will advance.
 - 6-2 To stop motor (and pump), release “UP” button. Oil pressure will remain constant until “DOWN” button is depressed to relieve pressure. To continue the increase in oil pressure, depress “UP” button.
 - 6-3 By pressing “UP” button and holding, oil pressure increases to a maximum of 10,000 psi. When oil pressure reaches 10,000psi, the pump will bypass which is indicated by a drop in oil pressure in the hose. The pump will continue to cycle as long as the “UP” button is held.
 - 6-4 By pressing the “DOWN” button and holding, the return pressure is activated and the ram will retract. Return pressure is approximately 2000 psi.

OPERATING INSTRUCTIONS FOR R14E-AD

7. AUTO OPERATION

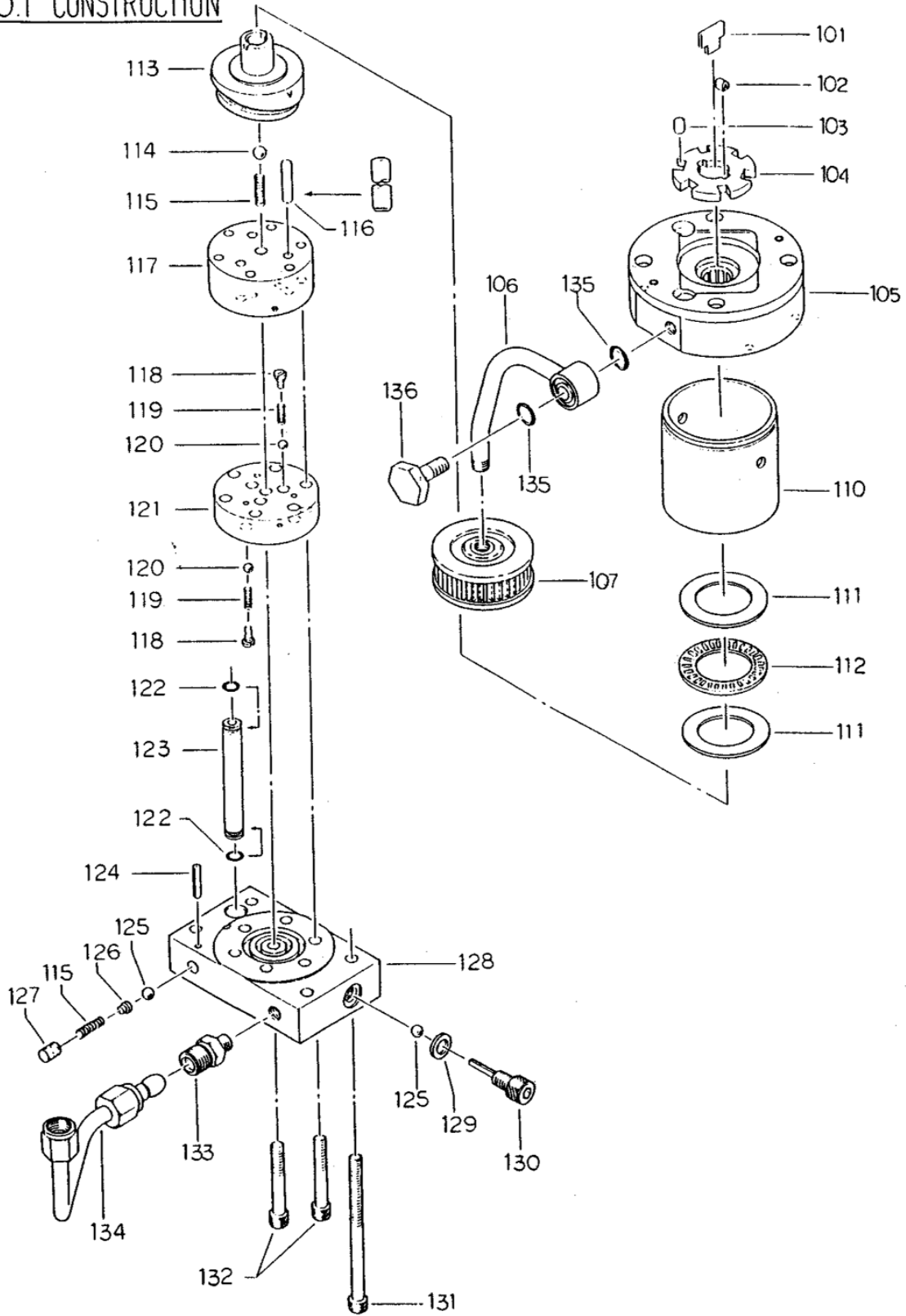
- 7-1 Set the control switch located on the front panel of the pump to “AUTO” position. Pump motor will begin to run. However, there will be no oil flow directed to the tool.
- 7-2 Before operating the pump in AUTO, check if the material to be compressed, punched, cut, bent, etc., is in position. Then press “UP” button. Oil will be directed to the tool and will build a maximum pressure of 10,000 psi. Once this pressure is reached, the pump will bypass, indicated by a relief in oil pressure in the hose. The pump will then continue to run in a “Neutral” position and the “DOWN” button should be pressed to retract the ram.
- 7-3 The ram advancement can be stopped at any time during the cycle by pressing the “DOWN” button. PLEASE NOTE MOTOR CAN NOT BE STOPPED AND HELD IN A HALF WAY CYCLE WHEN AUTO OPERATED.
- 7-4 Occasionally check oil level through the visual oil port just below the vent. Oil level should be

MODEL R14E-AD DIAGRAM (1 OF 3)



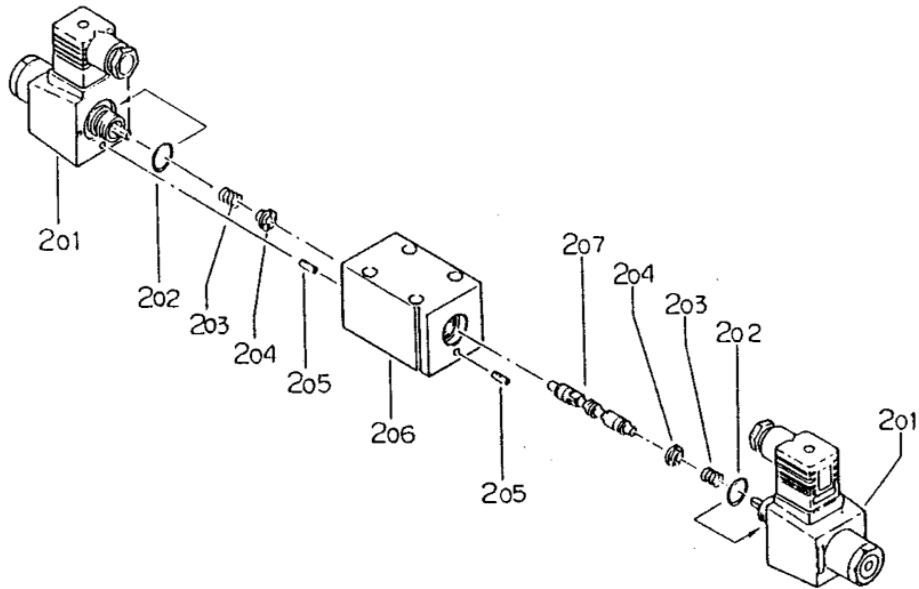
MODEL R14E-AD DIAGRAM (2 OF 3)

NO.1 CONSTRUCTION

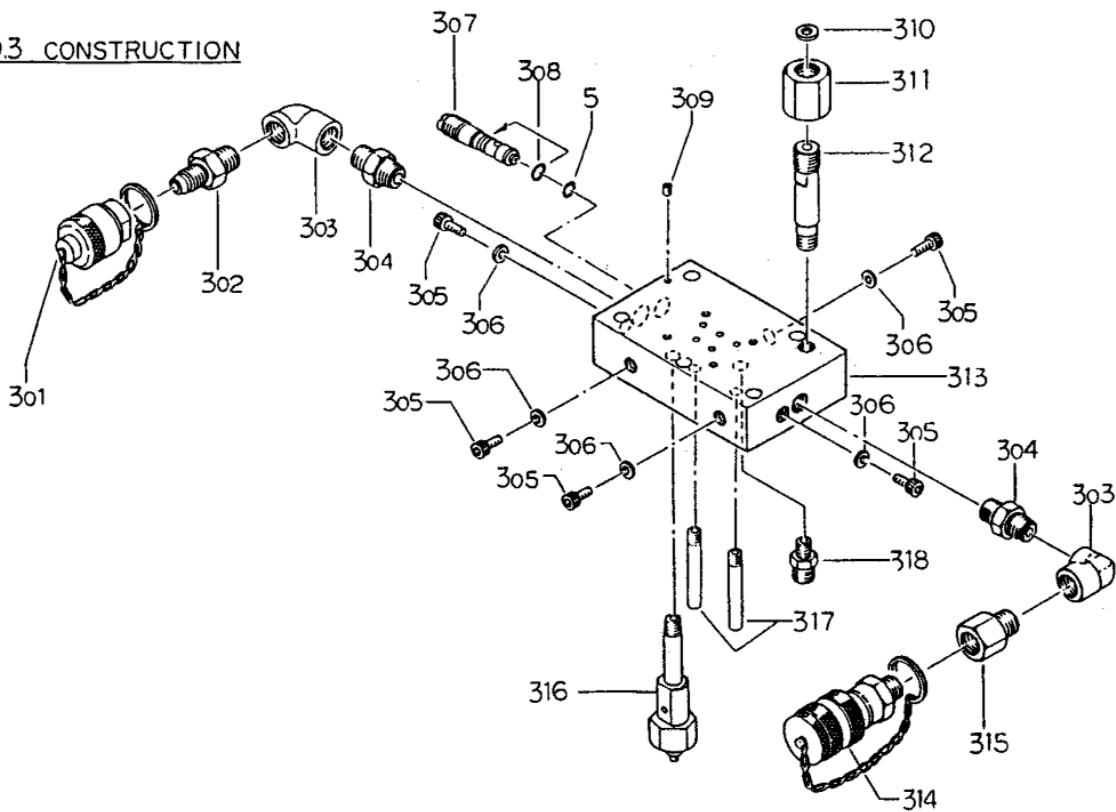


MODEL R14E-AD DIAGRAM (3 OF 3)

NO.2 CONSTRUCTION



NO.3 CONSTRUCTION



MODEL R14EA-AD PARTS LIST (2 OF 3)

NO.	DESCRIPTION	CODE	QTY.
101	KEY (1)	RB-30	1
102	KEY (2)	RB-32	1
103	6 X 6 ROLLER	RB-31	6
104	ROTOR	RB-33	1
105	VANE CAP	RA-39	1
106	SUCTION PIPE	RA-41	1
107	STRAINER	RF-25	1
110	DRUM	RB-35	1
111	BEARING PLATE AS-1106	RB-36	2
112	NEEDLE THRUST BEARING	RB-37	1
113	CAM ASSY	RF-26	1
114	1/4" BALL	26-22	1
115	SPRING (70)	RB-44	2
116	PISTON	RB-45	3
117	CYLINDER	RB-46	1
118	SPRING HOLDER	RB-48	6
119	SPRING (4)	16-48	6
120	3/16" BALL	16-49	6
121	CHECK VALVE (1)	RB-47	1
122	P-7 O-RING	16-60	2
123	LOW PRESSURE PIPE	RB-53	1
124	3 X 8 DRIVE PIN	RF-33	1
125	7/32" BALL	16-26	2
126	BALL HOLDER	RB-58	1
127	SPRING HOLDER (1)	RB-57	1
128	BASE	RA-37	1
129	COPPER GASKET (4)	26-20	1
130	STOPPER SCREW	RB-60	1
131	M6 X 85 SCREW	RB-62	4
132	M6 X 40 SCREW	RB-61	7
133	JOINT A8-PT 1/8	RA-46	1
134	PIPE	RA-47	1
135	P-10 O-RING	100-14	2
136	MALE SWIVEL JOINT	RA-48	1

NO.	DESCRIPTION	CODE	QTY.

MODEL R-14EAD WARRANTY

All Huskie REC-Series battery driven products carry a 5 year warranty, and the ECO-Series carry a 3 year warranty. The BP-70E, BP-70EI, and the BP-70MH batteries carry a 5 year warranty from the date stamped on the battery. The LED indicator on the BP-70-EI battery carries a 1 year warranty from purchase date. Hydraulic hammers carry a one year warranty and all other Huskie products carry a 5 year warranty. Huskie reserves the right to determine all warranty claims. Failure due to misuse, abuse or repairs attempted by anyone other than Huskie Tools, Inc., or an authorized service center render this warranty null and void. Our patented drop-out bypass cartridge can be re-calibrated or tested at no charge for the life of the tool. All factory repaired or reconditioned hydraulic tools carry a one year warranty on parts and labor.

REPAIR AND WARRANTY CLAIMS

All claims must be sent to Huskie for inspection and authorization. A Return Goods Authorization is required before shipping tools to Huskie. Secure the authorization by telephoning 1-800-860-6170 or writing to Huskie's main office with details of claim. Non-warranty repairs are handled using the same procedure. Repairs exceeding 50% of the cost of a new tool will be advised before repairs are made.

PLEASE RETAIN FOR YOUR RECORDS

Purchaser's Name

Address

City, State, Zip

Tool Model Number

Serial Number

Date Purchased From

Purchased From

MODEL R-14EAD WARRANTY

HOW TO GET SERVICE UNDER THE TERMS OF THE LIMITED WARRANTY

Return your product directly to Huskie Tools, Inc. as our representative network is not prepared to service the product under the terms of this warranty.

1. Write, call or fax Huskie stating the tool's purchase date and problem. You will be given a RGA # to assure that your merchandise will be properly handled upon its receipt.
2. CAUTION: Make sure the product is packaged adequately so as to prevent damage or loss during transit. The shipment must be prepaid and we recommend that it be insured. A cover letter indicating the reason for the return should be included in order to facilitate repairs.

**SEND THIS PORTION WITH ANY TOOL WHEN REQUESTING REPAIRS,
WARRANTY OR RECONDITIONING WORK.**

PLEASE CALL OR FAX HUSKIE FOR AN RGA#

Customer Job No. _____

Address _____

City _____ **State** _____ **Zip** _____

Tool Model _____

Warranty Claim _____ **Repair Only** _____

Customer Name: _____

Phone (_____) _____

City _____ **State** _____ **Zip** _____

Serial No. _____

Estimate Required: Yes _____ **No** _____



198 N. Brandon Drive
Glendale Heights, Illinois 60139
(630) 893-7755 Fax (800) 345-3767
Toll Free 1-800-860-6170
<http://www.huskiertools.com>
info@huskiertools.com