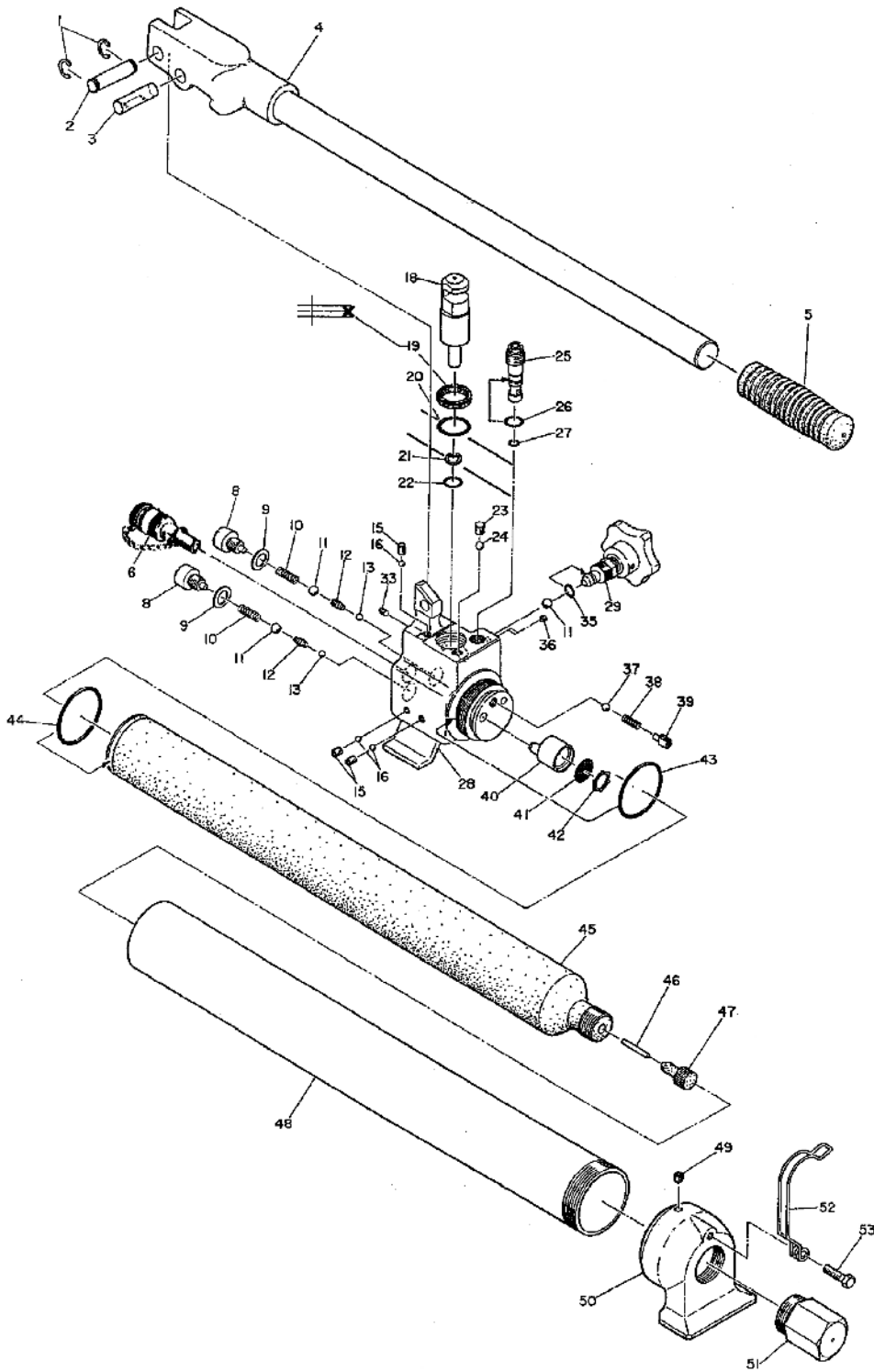


HP-700



BREAKDOWN



NO	DESCRIPTION	CODE	QTY
1	CE-10 Snap Ring	40-16	2
2	Pin (50)	700S-01	1
3	Pin (51)	700S-02	1
4	Pump Handle Ass'y	700A-01	1
5	Pump Handle Grip	700S-04	1
6	Female Coupler	FC-8/DP-8	1
7	Not Applicable		
8	Retaining Screw	F700A-07	2
9	Copper Gasket (7)	E3-68	2
10	Spring (67)	85-39	2
11	9/32" Ball	16-40	3
12	Spring (284)	F700A-08	2
13	3/16" Ball	16-49	2
15	M6 X 10 Screw (F.P.)	RA-71	3
16	5/32" Ball	22-21	3
18	Pump Piston	700S-05	1
19	P-26 X-Ring	700S-06	1
20	P-26 O-Ring	16-55	1
21	P-10A Back-Up Ring	RB-66	1
22	P-10A O-Ring	RB-65	1
23	M8 X 8 Screw (F.P.)	700S-23	1
24	1/4" Ball	26-22	1
25	Bypass Cartridge	410-36	1
26	S-9 O-Ring	410-71	1
27	P-8 O-Ring (B)	700S-15	1
28	Body	700A-02	1
29	Release Knob Ass'y	700A-03	1
35	P-5 O-Ring	5N-35	1
36	M5 X 5 Screw	300-73	1
37	7/32" Ball	16-26	1
38	Spring (43)	85-49	1
39	Valve Screw (8)	85-50	1
40	Strainer	9H-43A	1
41	Filter Screen	410-73	1
42	SI-20 Ring	410-74	1
43	G-45 O-Ring	55A-26	1
44	P-36 O-Ring	55-22	1
45	Oil Reservoir (32)	700A-04	1
46	Magnet	ROB-25	1
47	Reservoir Cap	410-55	1
48	Reservoir Cover	700A-05	1
49	M6 X 6 Screw (C.P.)	85-41	1
50	Support Stand	700S-32	1
51	End Cap	700S-331	1
52	Spring (212)	700S-34	1
53	M6 X 20 Screw	700S-35	1