

**HUSKIE TOOLS, INC.**



**Operating Instruction Manual  
For FP-700 Hydraulic Foot Pump  
with Parts List**

## FP-700 SPECIFICATIONS

### SPECIFICATIONS

Weight	25 lbs.
Length	28"
Oil Reservoir	44 cu/in fluid
1st Stage	.75 cu/in per stroke
2nd Stage	.14 cu/in per stroke

### 10,000 psi HYDRAULIC FOOT PUMP

- **Two-Stage Pump Piston for Rapid Advance**
- **External Pressure Adjustment from 4,000-10,000 psi**
- **Can be Operated in any Position**
- **3/8" Standard Screw Type Female Coupler**
- **Knob Type Release Valve**



### READ

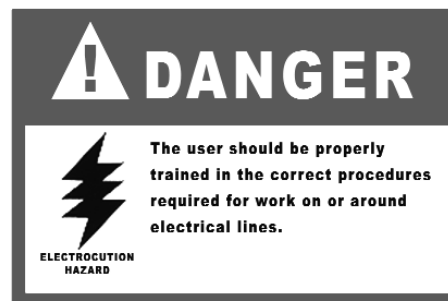
Instruction Manual  
and Product Decals  
before use.



Keep Fingers Out Of Pinch Areas  
Always Wear Safety Glasses



Secure Latch Before Operating  
Failure To Secure Latch can  
Result In Severe Tool Damage  
And Personal Injury.



The User Should Be Properly  
Trained in the Correct  
Procedures Required For Work  
Around Electrical Lines.

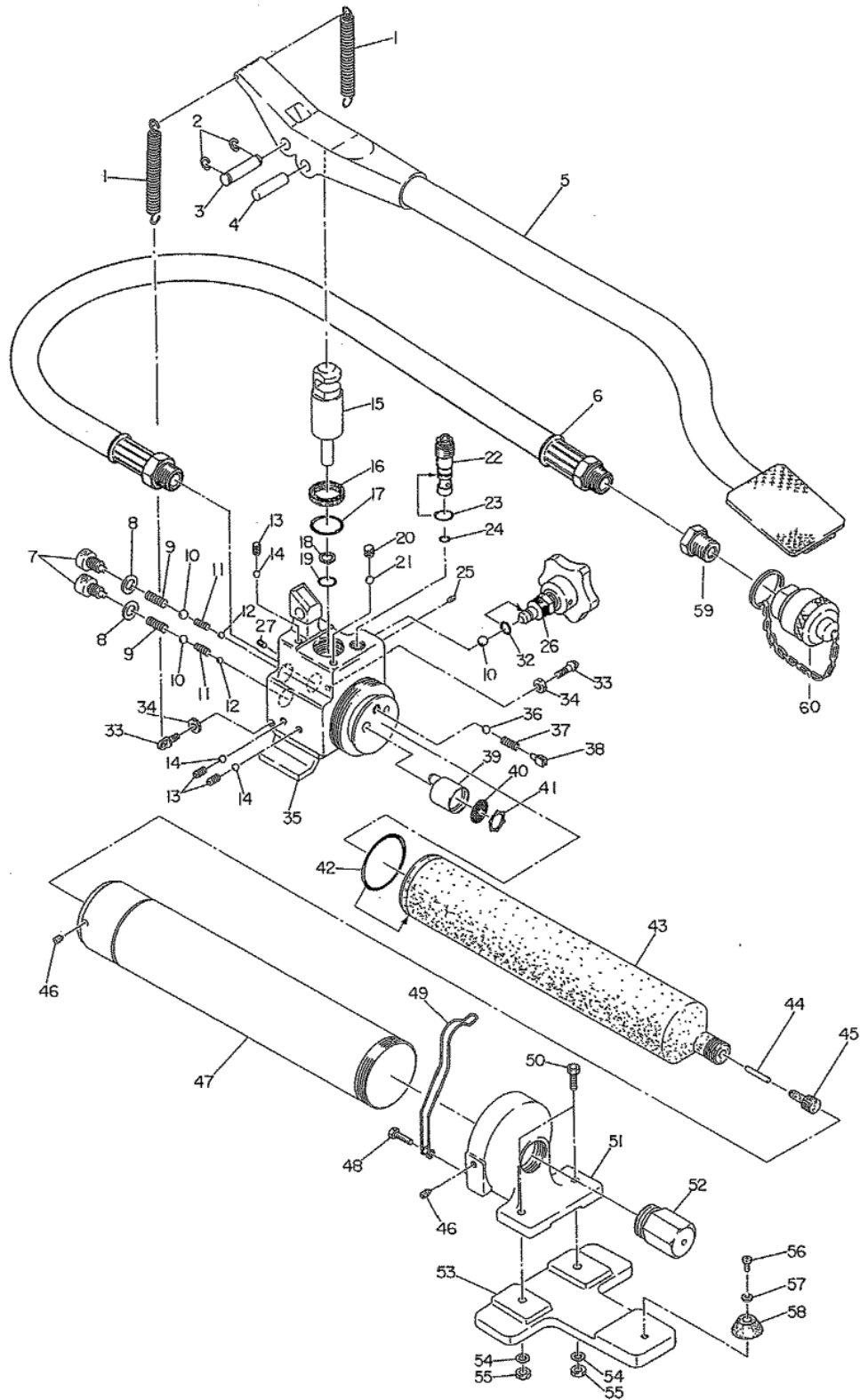


Do Not Operate Without Dies

## OPERATING INSTRUCTIONS FOR FP-700

1. Connect all couplers on tool, hose, and pump. Make sure all couplers are secure before operating.
2. Rotate control valve on the pump to the “Close” position; pump handle to operate.
3. All pumps feature an external bypass cartridge that will dump the oil back into the reservoir at a predetermined pressure; factory set at 10,000 psi. When this bypass is reached, the tool should be released and is ready to begin the next cycle.
4. To release the pressure, rotate the control valve to the “OPEN” position and the tool ram will retract.
5. These pumps were designed to provide a manually operated pumping source in places where electric power was not available. The foot pump action allows the operator’s hands to be free for controlling the tool and related job applications.
6. An external bypass pressure adjustment valve is easily accessible in event other pressures are required to operate tools. An in-line gauge should be used in conjunction with a tool to properly set the output pressure.
7. The pump base can be set on any flat surface to provide pump stability. The foot handle should be latched in a closed position for storage. The internal fluid reservoir should be checked periodically to assure proper oil level. Remove end cap and replenish oil that has been lost from the connecting and unconnecting of various tools heads. Always use the same fluid type when replenishing hydraulic fluid. Never mix different fluids since incompatibility of fluids may cause the different fluids to congeal. Always change out the fluid completely when in doubt.
8. The FP-700 pump has a bypass relief system incorporated which will dump the fluid when the predetermined pressure (10,000psi) is reached.
9. These pumps can be operated in any position because of the unique internal fluid reservoir.

# OPERATING INSTRUCTIONS FOR FP-700



## MODEL FP-700 PARTS LIST

NO.	DESCRIPTION	CODE	QTY.
1	Spring (219)	13S-02	2
2	CE-10 Snap Ring	40-16	2
3	Pin (50)	700S-01	1
4	Pin (51)	700S-02	1
5	Foot Pedal Ass'y	F700A-06	1
6	Hose 2M	700S-29	1
7	Retaining Screw	F700A-07	2
8	Copper Gasket (7)	E3-68	2
9	Spring (67)	85-39	2
10	9/32" Ball	16-40	3
11	Spring (284)	F700A-08	2
12	3/16" Ball	16-49	2
13	M6 X 10 Screw (F.P.)	RA-71	3
14	5/32" Ball	22-21	3
15	Pump Piston	700S-05	1
16	P-26 X-Ring	700S-06	1
17	P-26 O-Ring	16-55	1
18	P-10A Back-Up Ring (B.C.)	RB-66	1
19	P-10A O-Ring	RB-65	1
20	M8 X 8 Screw (F.P.)	700S-23	1
21	1/4" Ball	26-22	1
22	Bypass Cartridge	410-36	1
23	S-9 O-Ring	410-71	1
24	P-8 O-Ring (B)	700S-15	1
25	M5 X 5 Screw	300-73	1
26	Release Knob Ass'y	700A-03	1
27	M4 X 6 Screw (C.P.)	180-04	1
32	P-5 O-Ring	5N-35	1
35	Body " @	F700A-11	1
36	7/32" Ball	16-26	1
37	Spring (43)	85-49	1
38	Valve Screw (8)	85-50	1
39	Strainer	9H-43A	1
40	Filter Screen	410-73	1
41	SI-20 Ring	410-74	1
42	P-40 O-Ring	700S-27	1
43	Oil Reservoir (15)	F700-07	1
44	Magnet	ROB-25	1
45	Reservoir Cap	410-55	1
46	M6 X 6 Screw (C.P.)	85-41	2
47	Reservoir Cover Ass'y	F700A-10	1
48	M6 X 20 Screw	RF-05	1
49	Spring (324)	F700-09	1
50	M6 X 22 Screw	F700-14	2
51	Support Stand	F700-10	1
52	End Cap	700S-331	1
53	Base (B)	F700-12	1
54	M6 Lock Washer	16-02	2

NO.	DESCRIPTION	CODE	QTY.
55	M6 Hex. Nut	16-01	2
56	M4 X 16 Screw (Ni)	13S-08	1
57	M4 Flat Washer	E3-101	1
58	Rubber Support	13S-37	1
59	Adapter 3/8" NPT-M. 3/8" PT-F	410H-80	1
60	Male Coupler P.H. Type	RD-12	1

## MODEL FP-700 WARRANTY

All Huskie REC-Series battery driven products carry a 5 year warranty, and the ECO-Series carry a 3 year warranty. The BP-70E, BP-70EI, and the BP-70MH batteries carry a 5 year warranty from the date stamped on the battery. The LED indicator on the BP-70-EI battery carries a 1 year warranty from purchase date. Hydraulic hammers carry a one year warranty and all other Huskie products carry a 5 year warranty. Huskie reserves the right to determine all warranty claims. Failure due to misuse, abuse or repairs attempted by anyone other than Huskie Tools, Inc., or an authorized service center render this warranty null and void. Our patented drop-out bypass cartridge can be re-calibrated or tested at no charge for the life of the tool. All factory repaired or reconditioned hydraulic tools carry a one year warranty on parts and labor.

### REPAIR AND WARRANTY CLAIMS

All claims must be sent to Huskie for inspection and authorization. A Return Goods Authorization is required before shipping tools to Huskie. Secure the authorization by telephoning 1-800-860-6170 or writing to Huskie's main office with details of claim. Non-warranty repairs are handled using the same procedure. Repairs exceeding 50% of the cost of a new tool will be advised before repairs are made.

### PLEASE RETAIN FOR YOUR RECORDS

**Purchaser's Name**

---

**Address**

---

**City, State, Zip**

---

**Tool Model Number**

---

**Serial Number**

---

**Date Purchased From**

---

**Purchased From**

---

# MODEL FP-700 WARRANTY

## HOW TO GET SERVICE UNDER THE TERMS OF THE LIMITED WARRANTY

Return your product directly to Huskie Tools, Inc. as our representative network is not prepared to service the product under the terms of this warranty.

1. Write, call or fax Huskie stating the tool's purchase date and problem. You will be given a RGA # to assure that your merchandise will be properly handled upon its receipt.
2. CAUTION: Make sure the product is packaged adequately so as to prevent damage or loss during transit. The shipment must be prepaid and we recommend that it be insured. A cover letter indicating the reason for the return should be included in order to facilitate repairs.

-----

**SEND THIS PORTION WITH ANY TOOL WHEN REQUESTING REPAIRS,  
WARRANTY OR RECONDITIONING WORK.**

**PLEASE CALL OR FAX HUSKIE FOR AN RGA#**

**Customer Job No.** \_\_\_\_\_

**Address** \_\_\_\_\_

**City** \_\_\_\_\_ **State** \_\_\_\_\_ **Zip** \_\_\_\_\_

**Tool Model** \_\_\_\_\_

**Warranty Claim** \_\_\_\_\_ **Repair Only** \_\_\_\_\_

**Customer Name:** \_\_\_\_\_

**Phone ( \_\_\_\_\_ )** \_\_\_\_\_

**City** \_\_\_\_\_ **State** \_\_\_\_\_ **Zip** \_\_\_\_\_

**Serial No.** \_\_\_\_\_

**Estimate Required: Yes** \_\_\_\_\_ **No** \_\_\_\_\_



198 N. Brandon Drive  
Glendale Heights, Illinois 60139  
(630) 893-7755 Fax (800) 345-3767  
Toll Free 1-800-860-6170  
<http://www.huskiertools.com>  
[info@huskiertools.com](mailto:info@huskiertools.com)