



**HUSKIE TOOLS, INC.**



**Operating Instruction Manual  
For EP-630HA Compression Tool  
with Parts List**

# EP-630HA SPECIFICATIONS

## SPECIFICATIONS

Output	6.2 ton
Weight	6.5 lbs.
Length	10" w/coupler
Jaw Opening	.9"
Width	4.5"
Center Opening	1.25"

## CONNECTOR RANGE

#10 AWG-500 MCM

## 6.2 TON DIELESS CRIMPING HEAD

- Designed to Crimp Anderson Connectors & Other Brand Mfg to ANSI C119.4
- Eliminates the need for Dies
- Crimps up to 500 MCM
- 6.2 Ton Output



## READ

Instruction Manual  
and Product Decals  
before use.

## WARNING

**BE SURE THE CONNECTOR IS PROPERLY LOCATED BETWEEN ALL FOUR INDENTERS, OTHERWISE TOOL DAMAGE CAN OCCUR.**

Be Sure The Connector Is Properly Located Between All Four Indenters, Otherwise Tool Damage Can Occur



Keep Fingers Out Of Pinch Areas

Always Wear Safety Glasses

## DANGER



**The user should be properly trained in the correct procedures required for work on or around electrical lines.**

The User Should Be Properly Trained in the Correct Procedures Required For Work Around Electrical Lines.

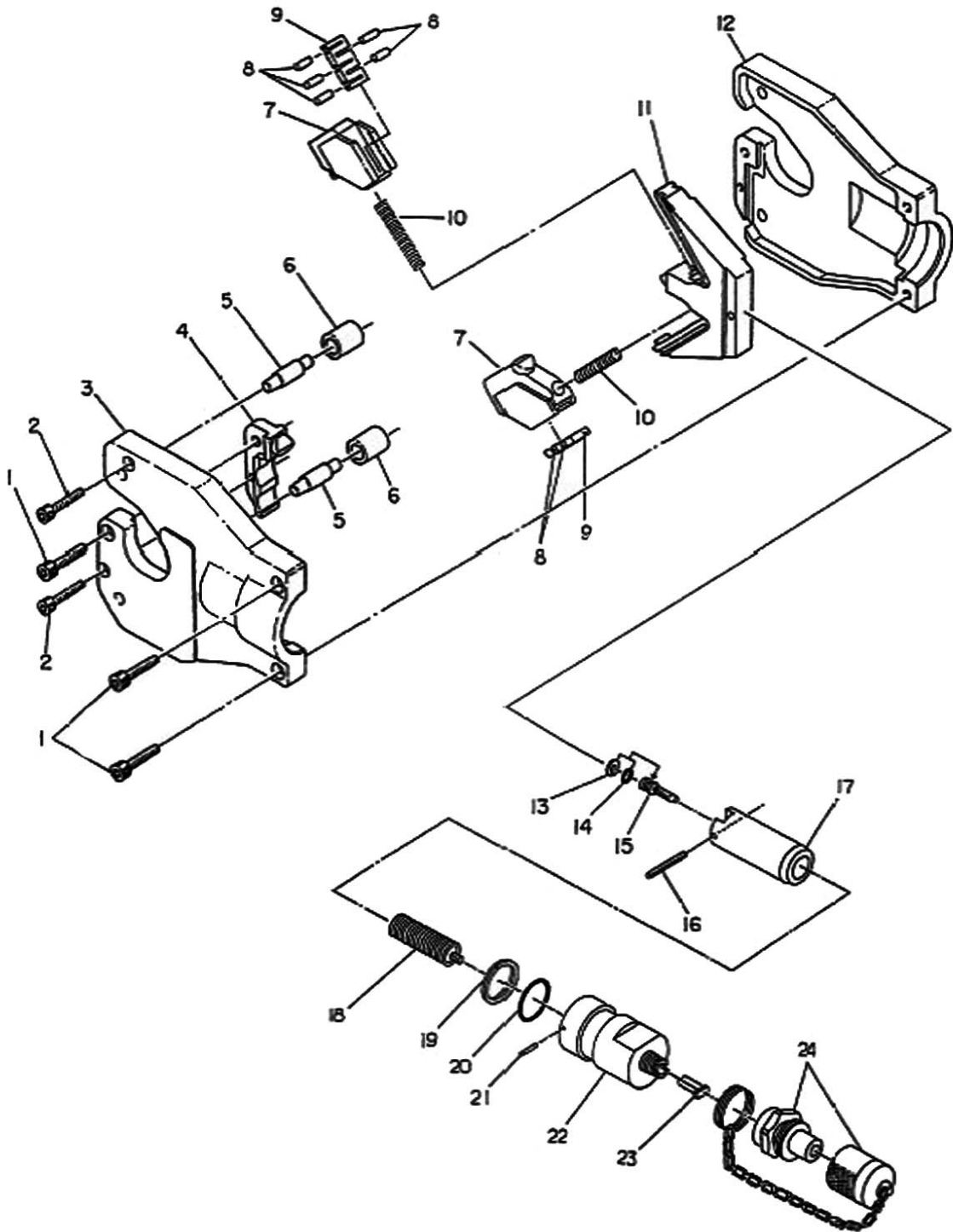
## GENERAL INFORMATION AND TROUBLESHOOTING

1. Never attempt to adjust pump pressure setting without the use of the proper test gauge. Consult factory for proper adjusting procedure.
2. Indentor hang up is common with all types of compression tools. Should this occur, the jaws can easily be separated by holding the pump handle in the release position while prying the jaws apart. Never attempt to hit connector or tool jaw with hammer as this will damage connector and tool.
3. Always clean tool after use to keep ram track clear of dirt and debris.

## OPERATING INSTRUCTIONS FOR THE EP-630HA

1. Before connecting the tool head, make sure the pump and hose being used is working properly, and adjusted to and rated at 10,000 psi. The use of a pump or hose not rated at 10,000 psi working pressure may cause severe damage and result in personal injury.
2. Connect the tool head to the pump and hose, making sure all coupler connections are secure. It is important that all connections are tight for tool to function properly.
3. Check your connector manufacturers recommendations on using a dieless compression tool with the connector and cable being used. Not all connectors are suitable for dieless tool applications.
4. Position connector between indentors and operate pump to hold connector in place. Fully insert cable into barrel of connector. Be sure connector is properly positioned in the center of the indentors. Damage to the tool and an improper crimp will result from a misaligned connector. Continue to operate pump as described in the pump operations manual until connector is fully crimped. For pumps that are not equipped with a hold feature, connector and cable must be in alignment before operating the pump.
5. Always be sure to keep couplers clean and caps in place when the tool is not being used.

# MODEL EP-630HA DIAGRAM





## MODEL EP-630HA WARRANTY

All Huskie REC-Series battery driven products carry a 5 year warranty, and the ECO-Series carry a 3 year warranty. The BP-70E, BP-70EI, and the BP-70MH batteries carry a 5 year warranty from the date stamped on the battery. The LED indicator on the BP-70-EI battery carries a 1 year warranty from purchase date. Hydraulic hammers carry a one year warranty and all other Huskie products carry a 5 year warranty. Huskie reserves the right to determine all warranty claims. Failure due to misuse, abuse or repairs attempted by anyone other than Huskie Tools, Inc., or an authorized service center render this warranty null and void. Our patented drop-out bypass cartridge can be re-calibrated or tested at no charge for the life of the tool. All factory repaired or reconditioned hydraulic tools carry a one year warranty on parts and labor.

### REPAIR AND WARRANTY CLAIMS

All claims must be sent to Huskie for inspection and authorization. A Return Goods Authorization is required before shipping tools to Huskie. Secure the authorization by telephoning 1-800-860-6170 or writing to Huskie's main office with details of claim. Non-warranty repairs are handled using the same procedure. Repairs exceeding 50% of the cost of a new tool will be advised before repairs are made.

### PLEASE RETAIN FOR YOUR RECORDS

**Purchaser's Name**

---

**Address**

---

**City, State, Zip**

---

**Tool Model Number**

---

**Serial Number**

---

**Date Purchased From**

---

**Purchased From**

---

# MODEL EP-630HA WARRANTY

## HOW TO GET SERVICE UNDER THE TERMS OF THE LIMITED WARRANTY

Return your product directly to Huskie Tools, Inc. as our representative network is not prepared to service the product under the terms of this warranty.

1. Write, call or fax Huskie stating the tool's purchase date and problem. You will be given a RGA # to assure that your merchandise will be properly handled upon its receipt.
2. CAUTION: Make sure the product is packaged adequately so as to prevent damage or loss during transit. The shipment must be prepaid and we recommend that it be insured. A cover letter indicating the reason for the return should be included in order to facilitate repairs.

-----

**SEND THIS PORTION WITH ANY TOOL WHEN REQUESTING REPAIRS,  
WARRANTY OR RECONDITIONING WORK.**

**PLEASE CALL OR FAX HUSKIE FOR AN RGA#**

**Customer Job No.** \_\_\_\_\_

**Address** \_\_\_\_\_

**City** \_\_\_\_\_ **State** \_\_\_\_\_ **Zip** \_\_\_\_\_

**Tool Model** \_\_\_\_\_

**Warranty Claim** \_\_\_\_\_ **Repair Only** \_\_\_\_\_

**Customer Name:** \_\_\_\_\_

**Phone ( \_\_\_\_\_ )** \_\_\_\_\_

**City** \_\_\_\_\_ **State** \_\_\_\_\_ **Zip** \_\_\_\_\_

**Serial No.** \_\_\_\_\_

**Estimate Required: Yes** \_\_\_\_\_ **No** \_\_\_\_\_



198 N. Brandon Drive  
Glendale Heights, Illinois 60139  
(630) 893-7755 Fax (800) 345-3767  
Toll Free 1-800-860-6170  
<http://www.huskiertools.com>  
[info@huskiertools.com](mailto:info@huskiertools.com)