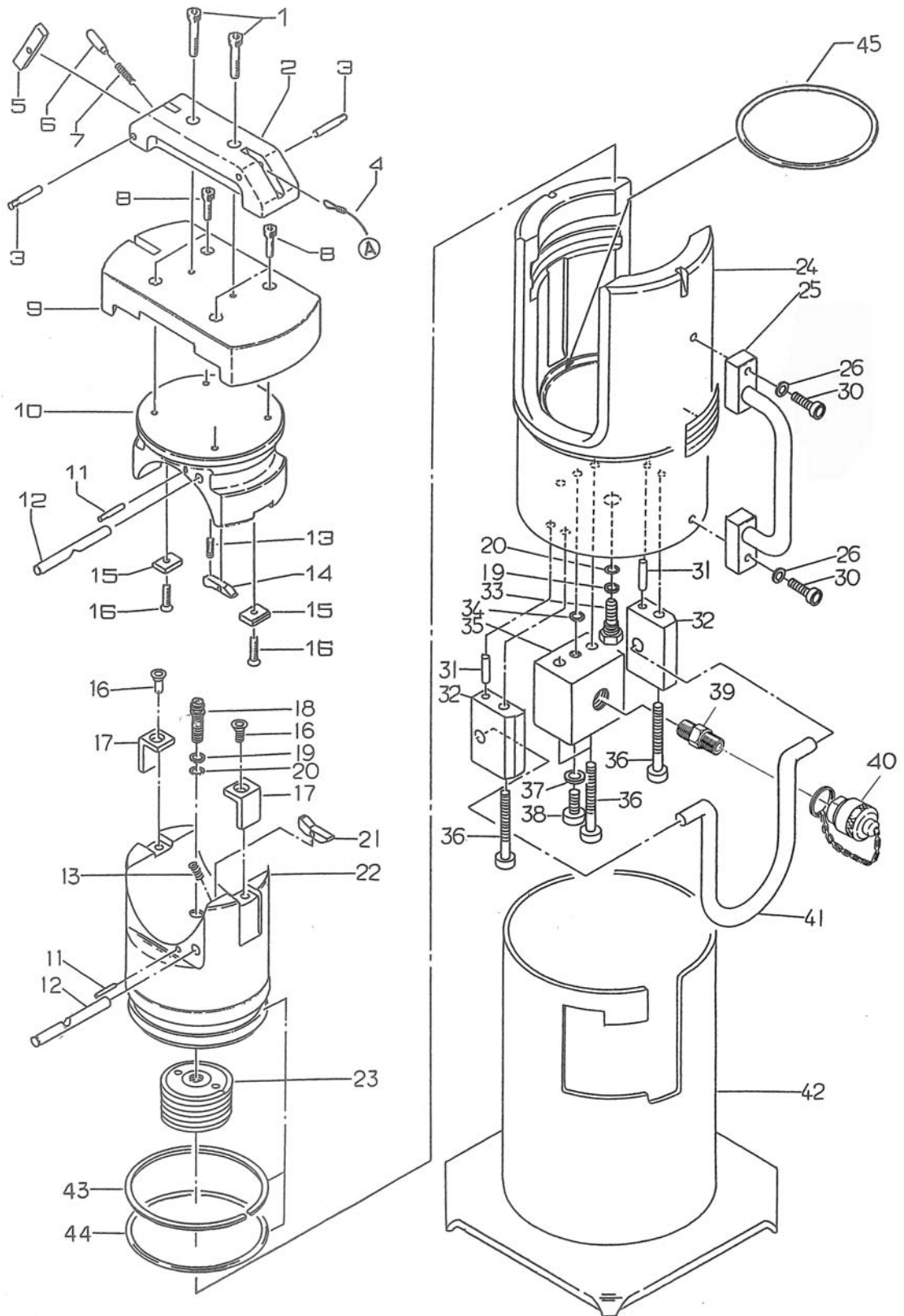


# EP-60WA



## BREAKDOWN



NO.	DESCRIPTION	CODE	QTY.
1	M5 X 30 SCREW	EG-64	2
2	HEAD CAP HANDLE	60-03	1
3	5 X 30 DOWEL PIN (G)	40U-05	2
4	WIRE (5)	60-04	1
5	TRIGGER	40U-02	1
6	PIN	40U-03	1
7	SPRING (186)	60-05	1
8	M5 X 20 SCREW	40U-01	4
9	CAP	40U-06	1
10	HOLDER RETAINER	40U-07	1
11	2.5 X 24 DOWEL PIN (G)	40U-08	2
12	PIN (88)	40U-09	2
13	SPRING (187)	40U-10	2
14	TOP DIE RETAINER	40U-11	1
15	RETAINER	40U-12	2
16	M5 X 6 SCREW	60-06	4
17	RAM GUIDE	40U-18	2
18	SPRING ANCHOR SCREW (3)	60-07	1
19	P-7 BACK-UP RING (B.C.)	RB-49	2
20	P-7 O-RING	16-60	2
21	BOTTOM DIE RETAINER	40U-20	1
22	RAM	60-08	1
23	RAM SPRING ASSEMBLY	60-09	1
24	CYLINDER	60-10	1
25	HANDLE	60-11	1
26	M8 LOCK WASHER	40-25	2
30	M8 X 30 SCREW	40U-19	2
31	PARALLEL PIN 6 X 12 M6	60-14	2
32	GRIP GUIDE BLOCK	60-15	2
33	SPRING ANCHOR SCREW (4)	60-16	1
34	P-8 O-RING	85-34	1
35	OIL FEED BLOCK	60-17	1
36	M8 X 60 SCREW	40U-29	3
37	COPPER GASKET (4)	26-20	1
38	M8 X 12 SCREW	40U-28	1
39	3/8" NPT-NPT NIPPLE	3/8X3/8FF	1
40	MALE COUPLER	MC-8/DC-8	1

NO.	DESCRIPTION	CODE	QTY.
41	GRIP	60-20	1
42	STAND	60-21	1
43	P-90 BACK-UP RING (B.C.)	60-01	1
44	P-90 O-RING	60-02	1
45	X-RING (345)	60-22	1