



HUSKIE TOOLS, INC.



**Operating Instruction Manual
For EP-510K Compression Tool
with Parts List**

EP-510K SPECIFICATIONS

SPECIFICATIONS

Output	12 ton
Weight	17 lbs
Length	26"
Jaw Opening	1.5"

CONNECTOR RANGE

Lugs	up to 1033 MCM strand
Splices	477 ACSR

12 TON COMPRESSION TOOL 1.5" JAW OPENING

- Accepts Kearny WH-2, PH-2, WH-3 Style Dies
- 1.5" Jaw Opening
- UDK-1 Die Adapter available for all 12 Ton "U" Type Dies
- External Pressure Adjustment



READ

Instruction Manual
and Product Decals
before use.

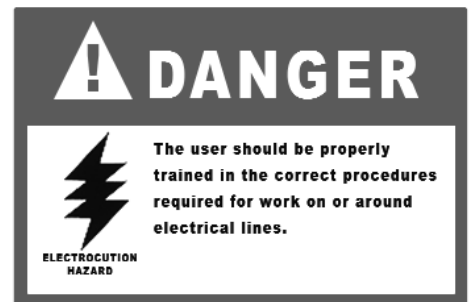


Keep Fingers Out Of Pinch Areas

Always Wear Safety Glasses



Do Not Operate Without Dies



The User Should Be Properly Trained in the Correct Procedures Required For Work Around Electrical Lines.

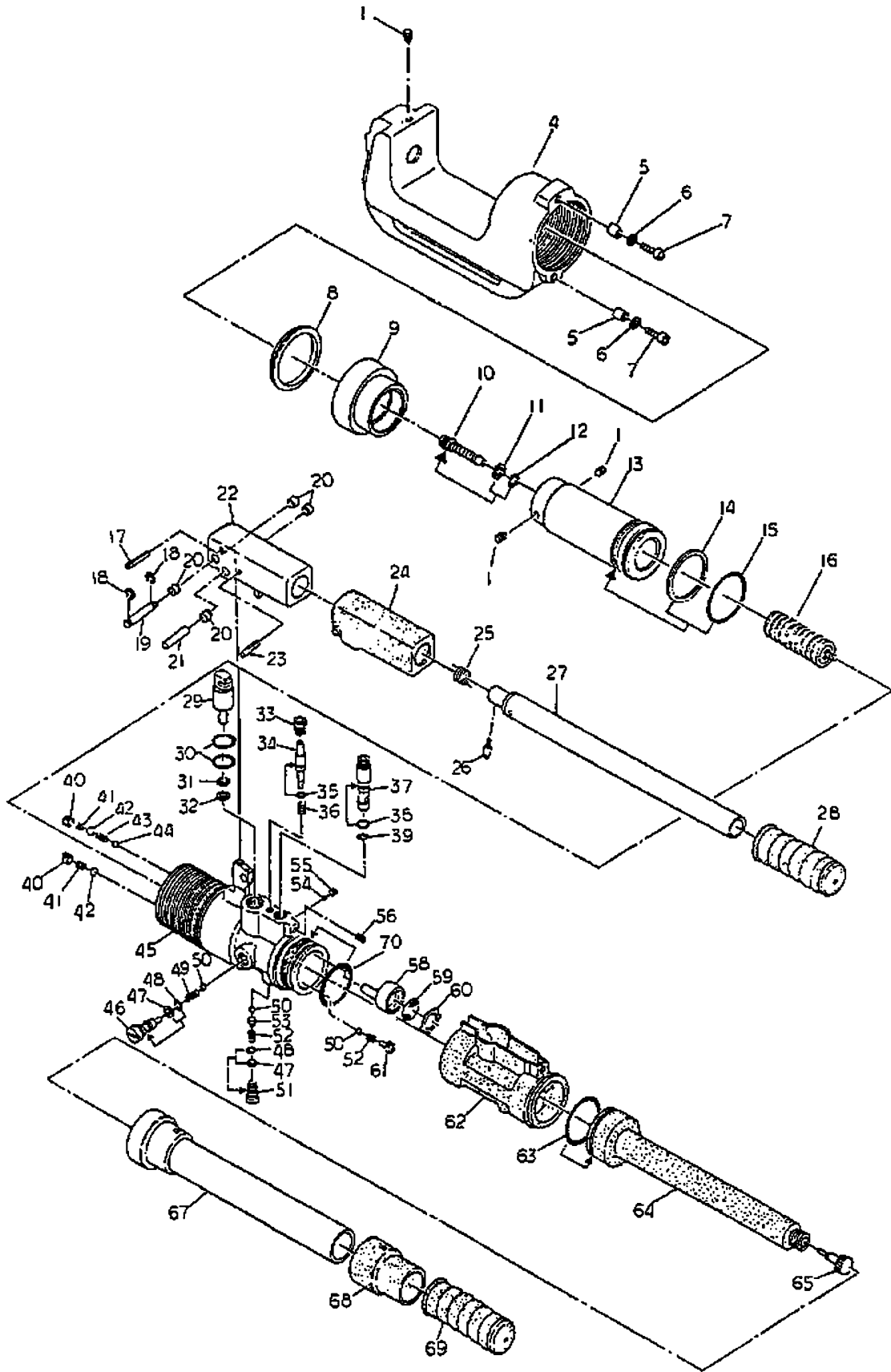
GENERAL INFORMATION AND TROUBLESHOOTING

1. Never operate tools without dies in place. Failure to insert dies before operation will cause damage to the “C” frame and tool ram.
2. Never attempt to adjust pressure setting without the use of the proper test gauge. Consult factory for proper adjusting procedure.
3. All manually operated hydraulic compression tools are equipped with our external replaceable bypass cartridge. These cartridges should not have to be replaced for 10,000 to 12,000 compressions.
4. Die hang up is common with all types of compression tools. Should this occur, the jaws can easily be separated by holding the pump handle in the release position while prying the jaws apart. Never attempt to hit connector or tool jaw with hammer as this will damage connector and tool.
5. If tool fails to advance upon receipt or after an extended period of storage, invert tool and rap compression head sharply on ground. The suction valve check ball can become stuck after extended storage or during shipment, not allowing the tool to advance.
6. Always clean tool after use to keep ram track clear of dirt and debris.

OPERATING INSTRUCTIONS FOR THE EP-510K

1. Select the appropriate compression die set for the connector and cable being used. The EP-510K uses WH-2 or PH-2 dies (Huskie HTK series). To use “U” style dies with the EP-510K, Huskie model UDK-1 die adapter must be used. When the “U” style dies are used with the EP-510K, the tool force must be increased from 10.7 tons to 12 tons. Consult factory for proper adjusting procedure.
2. To insert WH-2 and PH-2 style dies on the EP-510K, locate rounded edge of die and place towards back of “C” head. Loosen set screws on both the C-Head and ram, then push the dies into place and secure by tightening set screws.
3. Position the connector between the dies and pump tool handle until the connector is held in place. Fully insert the cable into the barrel of the connector.
4. Continue to pump the tool handle and completely crimp the connector. These tools all have a built in by-pass cartridge that will automatically activate when full pressure is reached. There will be a noticeable decrease in handle pressure when the by-pass is reached. a high pitched squeaking sound is normal when the tool is operating in the high pressure stage.
5. To release the tool, lift pump handle out and rotate clockwise until handle stops. With handle twisted, push down so the pin on the handle contacts the release pin on the tool body. The ram will retract and the tool is ready to begin its next cycle. In the event the tool will not release due to excess flash, hold release pin down with handle and pry tool jaws apart.
6. A compression gauge, model PG-4 is available for these tools for checking output pressure. Specify model PG-4K for use with the EP-510K. Consult factory for proper adjusting procedure.

MODEL EP-510K DIAGRAM



MODEL EP-510K PARTS LIST

NO.	DESCRIPTION	CODE	QTY.	NO.	DESCRIPTION	CODE	QTY.
1	M5 X 10 SCREW (C.P.)	46-06	3	51	VALVE PLUG (1)	410-52	1
4	HEAD	510K-03	1	52	SPRING (43)	85-49	2
5	EP-510K SPACER	510K-09	2	53	SPRING HOLDER	410-51	1
6	M5 LOCK WASHER	410-09	2	54	5/32" BALL	22-21	1
7	M5 X 20 SCREW	40U-01	2	55	M5 X 5 SCREW (F.P.)	510A-05	1
8	SER-40 SCRAPER	51KD-02	1	56	M5 X 8 SCREW	410-49	1
9	BUSHING	510K-02	1	58	STRAINER	410-72A	1
10	SPRING	510K-13	1	59	FILTER SCREEN	410-73	1
11	P-7 BACK-UP RING (B.C.)	RB-49	1	60	SI-20 RING	410-74	1
12	P-7 O-RING	16-60	1	61	VALVE SCREW (22)	410-80	1
13	RAM	510K-01	1	62	BODY INSULATION	510A-27	1
14	P-42 BACK-UP RING (B.C.)	510-18	1	63	G-30 O-RING	75-26	1
15	P-42 O-RING	9H-17	1	64	OIL RESERVOIR	510-28	1
16	EP-510K SPRING (377)	510K-15	1	65	RESERVOIR CAP	410-55	1
17	5 X 32 DOWEL PIN (G)	85-57A	1	66	MAGNET	ROB-25	1
18	CE-7 SNAP RING	40-49	2	67	(WHITE)	510-30	1
19	PIN (85)	410-22	1	68	INSULATION	510-33	1
20	BUSHING	410-25	4	69	BODY HANDLE GRIP	510-31	1
21	PIN (84)	410-23	1	70	G-40 O-RING	P100A-05	1
22	PUMP HANDLE HEAD	410-24	1				
23	4 X 26 DOWEL PIN (G)	410-26	1				
24	INSULATION	410-27	1				
25	SPRING (146)	85-60	1				
26	PUSH PIN	85-61	1				
27	(WHITE)	410-30W	1				
28	PUMP HANDLE GRIP (2)	410-31	1				
29	PUMP PISTON	510-22	1				
30	P-22 O-RING (B.C.)	510-24A	2				
31	P-9 BACK-UP RING (B.C.)	32A-01	1				
32	PS-9 PEN SEAL	32-18	1				
33	RELEASE VALVE SCREW (7)	85-35	1				
34	RELEASE VALVE STEM	410-35	1				
35	P-3 O-RING (C.P.)	UC-27	1				
36	SPRING (144)	85-37	1				
37	BYPASS CARTRIDGE	410-36	1				
38	S-9 O-RING	410-71	1				
39	P-8 O-RING (C.P.)	410-43	1				
40	VALVE SCREW (10)	410-44	2				
41	SPRING (67)	85-39	2				
42	9/32" BALL	16-40	2				
43	SPRING (66)	85-40	1				
44	3/16" BALL	16-49	1				
45	BODY	510K-16	1				
46	SUCTION VALVE PLUG	410-46	1				
47	P-4 BACK-UP RING (B.C.)	410-47	2				
48	P-4 O-RING (C.P.)	410-48A	2				
49	SPRING (4)	16-48	1				
50	7/32" BALL	16-26	3				

MODEL EP-510K WARRANTY

All Huskie REC-Series battery driven products carry a 5 year warranty, and the ECO-Series carry a 3 year warranty. The BP-70E, BP-70EI, and the BP-70MH batteries carry a 5 year warranty from the date stamped on the battery. The LED indicator on the BP-70-EI battery carries a 1 year warranty from purchase date. Hydraulic hammers carry a one year warranty and all other Huskie products carry a 5 year warranty. Huskie reserves the right to determine all warranty claims. Failure due to misuse, abuse or repairs attempted by anyone other than Huskie Tools, Inc., or an authorized service center render this warranty null and void. Our patented drop-out bypass cartridge can be re-calibrated or tested at no charge for the life of the tool. All factory repaired or reconditioned hydraulic tools carry a one year warranty on parts and labor.

REPAIR AND WARRANTY CLAIMS

All claims must be sent to Huskie for inspection and authorization. A Return Goods Authorization is required before shipping tools to Huskie. Secure the authorization by telephoning 1-800-860-6170 or writing to Huskie's main office with details of claim. Non-warranty repairs are handled using the same procedure. Repairs exceeding 50% of the cost of a new tool will be advised before repairs are made.

PLEASE RETAIN FOR YOUR RECORDS

Purchaser's Name

Address

City, State, Zip

Tool Model Number

Serial Number

Date Purchased From

Purchased From

MODEL EP-510K WARRANTY

HOW TO GET SERVICE UNDER THE TERMS OF THE LIMITED WARRANTY

Return your product directly to Huskie Tools, Inc. as our representative network is not prepared to service the product under the terms of this warranty.

1. Write, call or fax Huskie stating the tool's purchase date and problem. You will be given a RGA # to assure that your merchandise will be properly handled upon its receipt.
2. CAUTION: Make sure the product is packaged adequately so as to prevent damage or loss during transit. The shipment must be prepaid and we recommend that it be insured. A cover letter indicating the reason for the return should be included in order to facilitate repairs.

**SEND THIS PORTION WITH ANY TOOL WHEN REQUESTING REPAIRS,
WARRANTY OR RECONDITIONING WORK.**

PLEASE CALL OR FAX HUSKIE FOR AN RGA#

Customer Job No. _____

Address _____

City _____ **State** _____ **Zip** _____

Tool Model _____

Warranty Claim _____ **Repair Only** _____

Customer Name: _____

Phone (_____) _____

City _____ **State** _____ **Zip** _____

Serial No. _____

Estimate Required: Yes _____ **No** _____



198 N. Brandon Drive
Glendale Heights, Illinois 60139
(630) 893-7755 Fax (800) 345-3767
Toll Free 1-800-860-6170
<http://www.huskiertools.com>
info@huskiertools.com