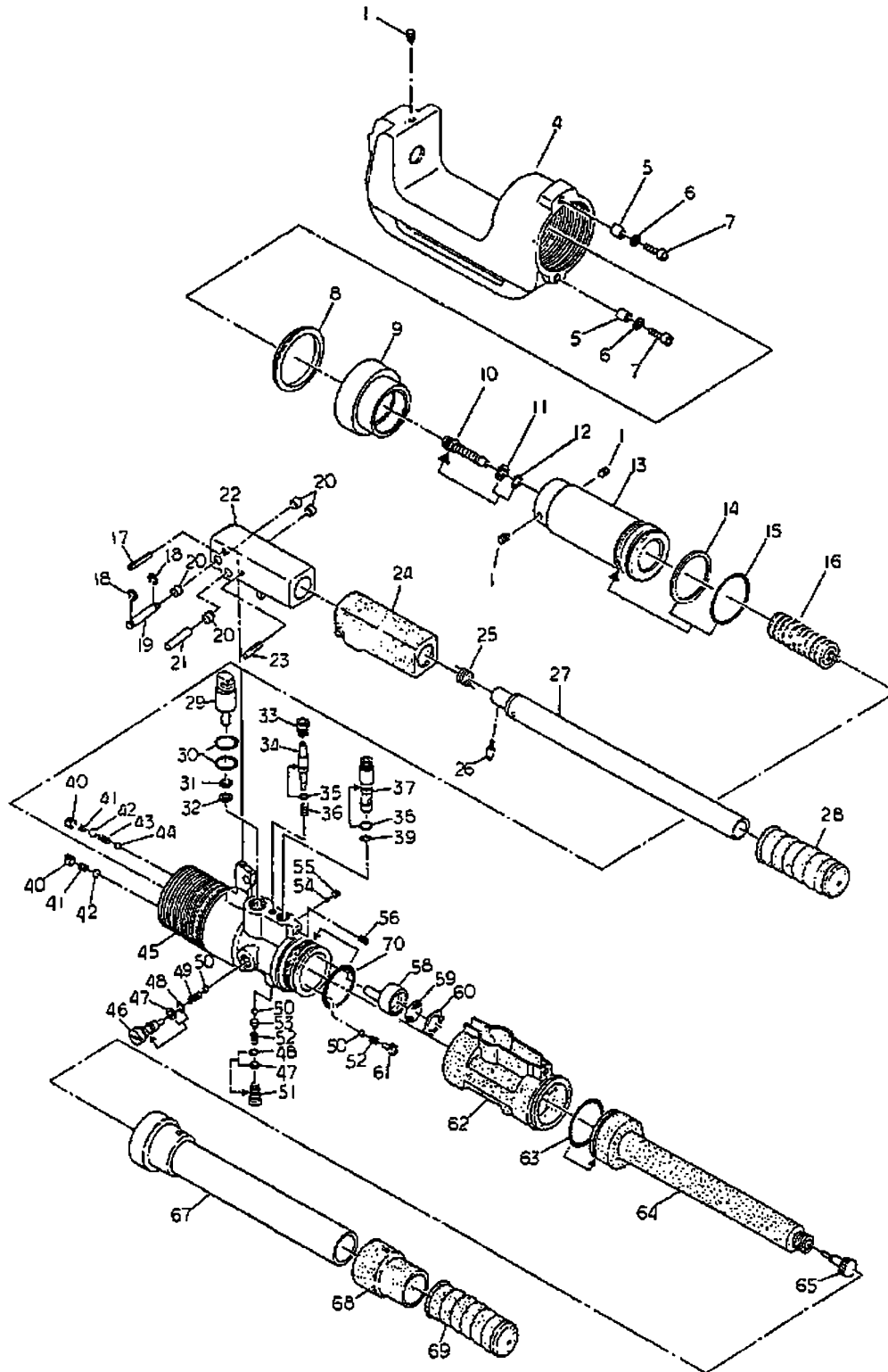




Huskie TOOLS

EP-510K BREAKDOWN



EP-510K PARTS LIST

NO.	DESCRIPTION	CODE	QTY.
1	M5 X 10 SCREW (C.P.)	46-06	3
4	HEAD	510K-03	1
5	EP-510K SPACER	510K-09	2
6	M5 LOCK WASHER	410-09	2
7	M5 X 20 SCREW	40U-01	2
8	SER-40 SCRAPER	51KD-02	1
9	BUSHING	510K-02	1
10	SPRING	510K-13	1
11	P-7 BACK-UP RING (B.C.)	RB-49	1
12	P-7 O-RING	16-60	1
13	RAM	510K-01	1
14	P-42 BACK-UP RING (B.C.)	510-18	1
15	P-42 O-RING	9H-17	1
16	EP-510K SPRING (377)	510K-15	1
17	5 X 32 DOWEL PIN (G)	85-57A	1
18	CE-7 SNAP RING	40-49	2
19	PIN (85)	410-22	1
20	BUSHING	410-25	4
21	PIN (84)	410-23	1
22	PUMP HANDLE HEAD	410-24	1
23	4 X 26 DOWEL PIN (G)	410-26	1
24	HANDLE HEAD INSULATION	410-27	1
25	SPRING (146)	85-60	1
26	PUSH PIN	85-61	1
27	PUMP HANDLE ASSY (WHITE)	410-30W	1
28	PUMP HANDLE GRIP (2)	410-31	1
29	PUMP PISTON	510-22	1
30	P-22 O-RING (B.C.)	510-24A	2
31	P-9 BACK-UP RING (B.C.)	32A-01	1
32	PS-9 PEN SEAL	32-18	1
33	RELEASE VALVE SCREW (7)	85-35	1
34	RELEASE VALVE STEM	410-35	1
35	P-3 O-RING (C.P.)	UC-27	1
36	SPRING (144)	85-37	1
37	BYPASS CARTRIDGE	410-36	1
38	S-9 O-RING	410-71	1
39	P-8 O-RING (C.P.)	410-43	1
40	VALVE SCREW (10)	410-44	2
41	SPRING (67)	85-39	2
42	9/32" BALL	16-40	2
43	SPRING (66)	85-40	1
44	3/16" BALL	16-49	1
45	BODY	510K-16	1
46	SUCTION VALVE PLUG	410-46	1
47	P-4 BACK-UP RING (B.C.)	410-47	2
48	P-4 O-RING (C.P.)	410-48A	2
49	SPRING (4)	16-48	1
50	7/32" BALL	16-26	3

NO.	DESCRIPTION	CODE	QTY.
51	VALVE PLUG (1)	410-52	1
52	SPRING (43)	85-49	2
53	SPRING HOLDER	410-51	1
54	5/32" BALL	22-21	1
55	M5 X 5 SCREW (F.P.)	510A-05	1
56	M5 X 8 SCREW	410-49	1
58	STRAINER	410-72A	1
59	FILTER SCREEN	410-73	1
60	SI-20 RING	410-74	1
61	VALVE SCREW (22)	410-80	1
62	BODY INSULATION	510A-27	1
63	G-30 O-RING	75-26	1
64	OIL RESERVOIR	510-28	1
65	RESERVOIR CAP	410-55	1
66	MAGNET	ROB-25	1
67	BODY HANDLE ASS'Y (WHITE)	510-30	1
68	INSULATION	510-33	1
69	BODY HANDLE GRIP	510-31	1
70	G-40 O-RING	P100A-05	1