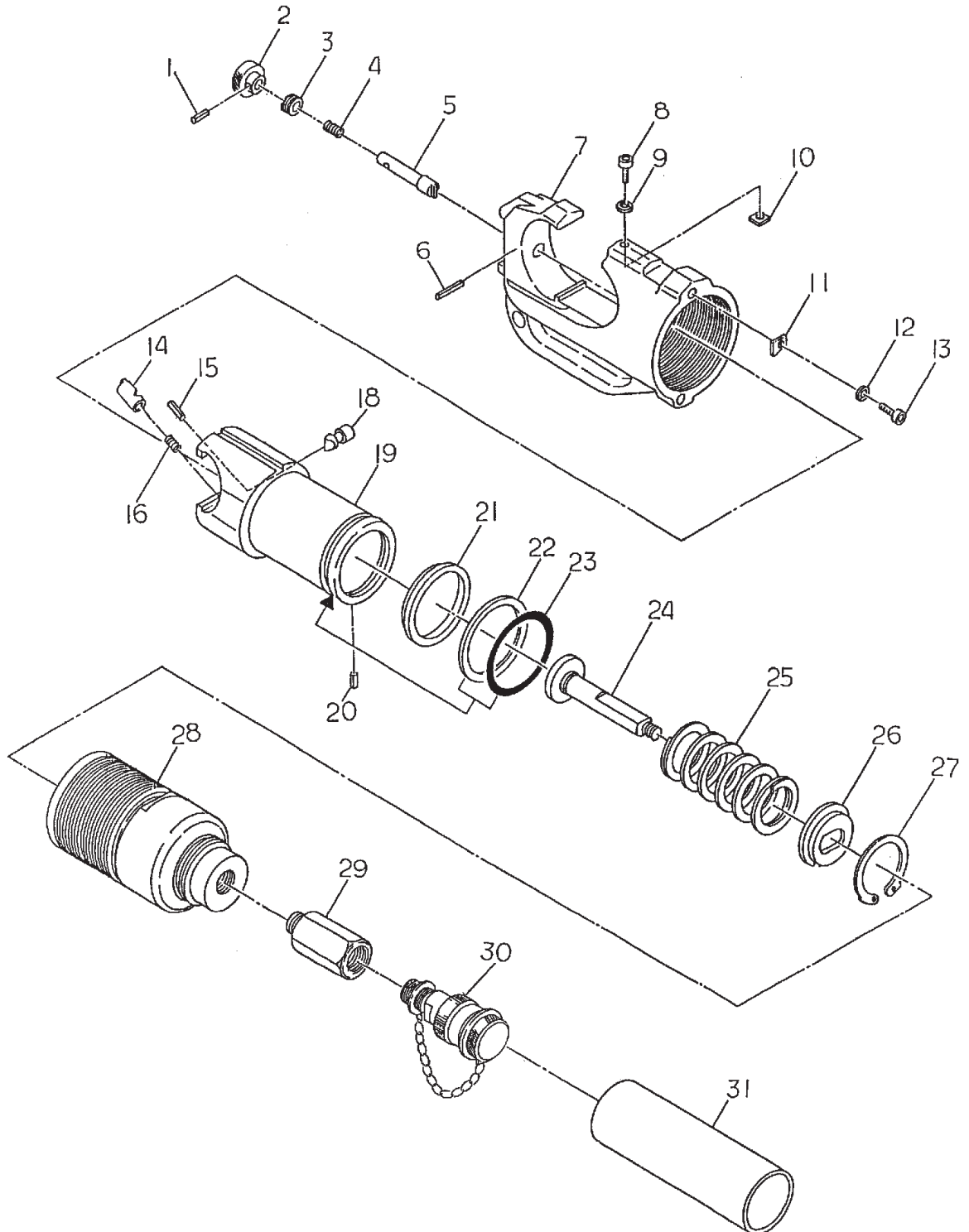




Huskie TOOLS

EP-430H BREAKDOWN



EP-430H PARTS LIST

NO.	DESCRIPTION	CODE	QTY.
1	2 X 12 Drive Pin (AW)	40-21	1
2	Knob	510-01	1
3	Screw (16)	510-02	1
4	Spring (257)	510-03	1
5	Retainer Pin (A)	510-04	1
6	2.5 X 25 Drive Pin (BW)	410-04	1
7	Head	430-01	1
8	Guide Screw	510A-15	1
9	M5 Lock Washer (Small)	510-12	1
10	Key	510A-06	1
11	Stopper	410H-01	1
12	M5 Lock Washer	410-09	1
13	M5 X 10 Screw	410H-02	1
14	Retainer Pin (B)	410-12	1
15	2.5 X 14 Drive Pin (BW)	410-11	1
16	Spring (177)	410-01	1
18	Die Release Pin	430-21	1
19	Ram	430-02	1
20	2.5 x 8 Dowel Pin (B)	410-17	1
21	Dust Seal	430-03	1
22	P-40 Back-Up Ring (B.C.)	22-16	1
23	P-40 O-Ring (C.P.)	410-70	1
24	Spring Holder	430-04	1
25	Spring (323)	430-05	1
26	Ram Spring Support	430-06	1
27	OV-36 Snap Ring	410-21	1
28	Cylinder	430H-01	1
29	Adapter 3/8 PT-M. 3/8" PT-F."	430H-02	1
30	Female Coupler/Dust Plug	FC-8/DP-8	1
31	Grip	430H-03	1