



HUSKIE TOOLS, INC.



**Operating Instruction Manual
For EP-410HT Compression Tool
with Parts List**

EP-410HT SPECIFICATIONS

SPECIFICATIONS

Output	12 ton
Weight	5 lbs.
Length	10"
Jaw Opening	1"

CONNECTOR RANGE

Lugs	#8-750 MCM
Splices	#10-400 MCM

12 TON TITANIUM C-HEAD 1" JAW OPENING

- Extremely Light Weight Titanium
- Ideal for Hot Stick Applications
- All the Same Features as the EP-410H Model



READ

Instruction Manual
and Product Decals
before use.

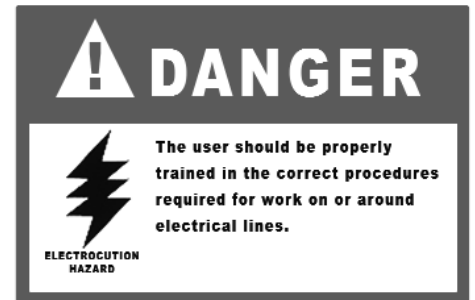


Keep Fingers Out Of Pinch Areas

Always Wear Safety Glasses



Do Not Operate Without Dies



The User Should Be Properly Trained in the Correct Procedures Required For Work Around Electrical Lines.

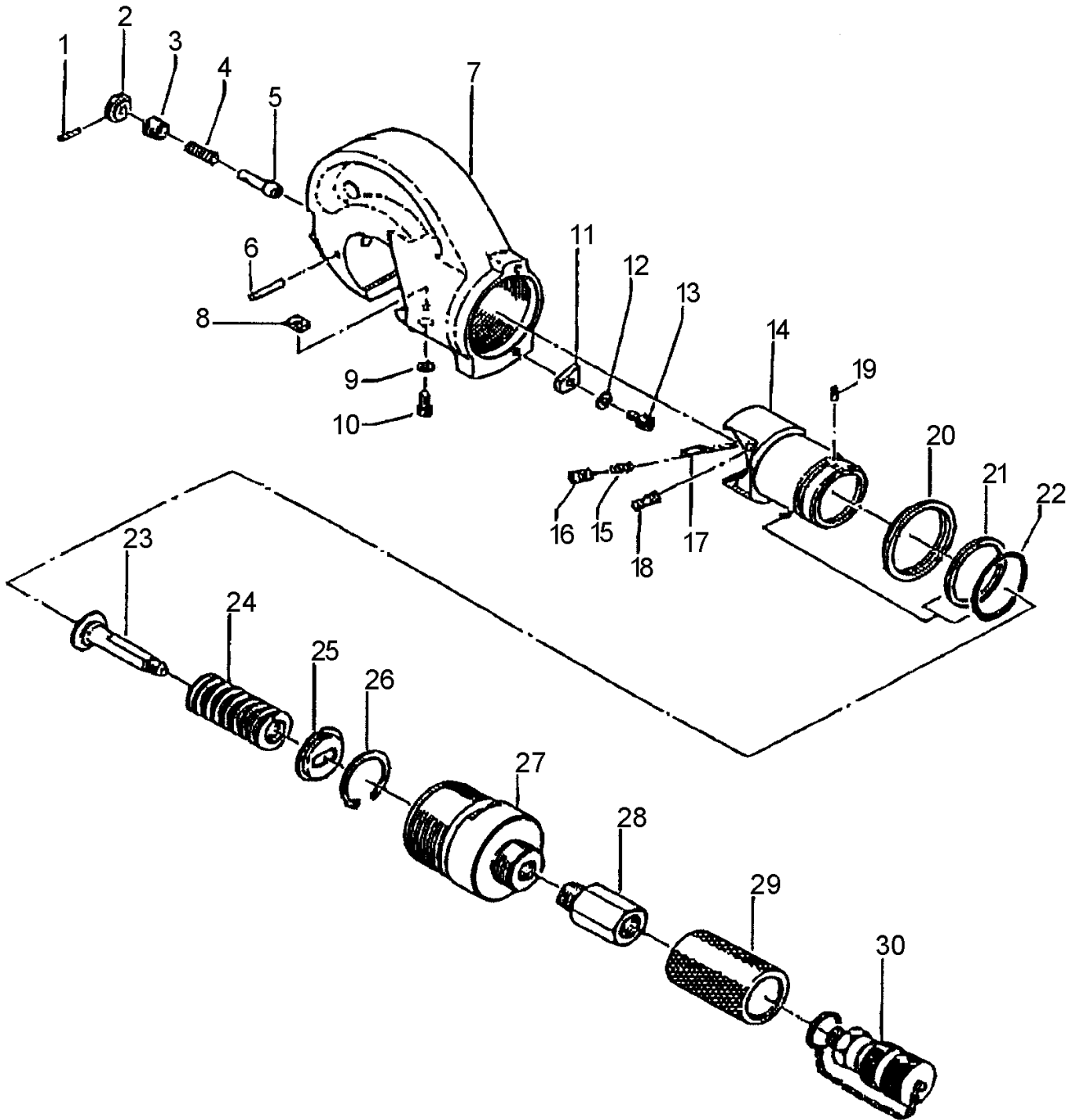
GENERAL INFORMATION AND TROUBLESHOOTING

1. Never operate tools without dies in place. Failure to insert dies before operation will cause damage to the “C” frame and tool ram.
2. Never attempt to adjust pressure setting without the use of the proper test gauge. Consult factory for proper adjusting procedure.
3. Die hang up is common with all types of compression tools. Should this occur, the jaws can easily be separated by holding the pump in the release position while prying the jaws apart. Never attempt to hit connector or tool jaw with hammer as this will damage connector and tool.
4. Always clean tool after use to keep ram track clear of dirt and debris.

OPERATING INSTRUCTIONS FOR THE EP-410HT

1. Before connecting the tool head, make sure the pump and hose being used is working properly, and adjusted to and rated at 10,000 psi. The use of a pump or hose not rated at 10,000 psi working pressure may cause severe damage and result in personal injury.
2. Connect the tool head to the pump and hose, making sure all coupler connections are secure. It is important that all connections are tight for tool to function properly.
3. Select appropriate compression die set for the connector and cable being used. The “U” style Huskie HT-41 series dies are to be used with these tools.
4. To insert the dies, depress the die release pin on the ram, and slide die into place. Then lift release knob on top of “C” head and slide other die half in place. Be sure both die halves are secure before operating the tool.
5. Position the connector between the dies and operate pump to hold connector in place. Fully insert cable into the barrel of the connector and operate pump as described in the pump operations manual until connector is fully crimped. For pumps that are not equipped with a hold feature, connector and cable must be in alignment before operating the pump.
6. Always be sure to keep couplers clean and caps in place when the tool is not being used.

MODEL EP-410HT DIAGRAM



MODEL EP-410HT PARTS LIST

NO.	DESCRIPTION	CODE	QTY
1	2 X 14 DRIVE PIN	75-33	1
2	KNOB	HR-113	2
3	SCREW (16)	510-02	1
4	SPRING (257)	510-03	1
5	RETAINER PIN (A)	HR-114	1
6	2.5 X 24 DOWEL PIN	40U-08	1
7	HEAD (TITANIUM)	410-01T	1
8	KEY	510A-06	1
9	M5 LOCK WASHER (SMALL)	510-12	1
10	GUIDE SCREW	510A-15	1
11	STOPPER	410H-01	1
12	M5 LOCK WASHER	410-09	1
13	M5 X 10 SCREW	410H-02	1
14	RAM (LUBNIK)	410-13L	1
15	SPRING (177)	410-01	1
16	RETAINER PIN (B)	410-12	1
17	2.5 X 14 DRIVE PIN (BW)	410-11	1
18	DIE RELEASE PIN (B)	410-14	1
19	2.5 X 8 DOWEL PIN (B)	410-17	1
20	DUST SEAL	430-03	1
21	P-40 BACK-UP RING (B.C.)	22-16	1
22	P-40 O-RING (C.P.)	410-70	1
23	RAM SPRING GUIDE	410-18	1
24	SPRING (65)	410-19	1
25	RAM SPRING SUPPORT	410-20	1
26	GV-36 SNAP RING	410-21	1
27	CYLINDER	410-03T	1
28	ADAPTER 3/8" PT-M 3/8"NPT-F	Y30-25A	1
29	GRIP	Y30-26	1
30	FEMALE COUPLER	FC-8/DP-8	1

NO.	DESCRIPTION	CODE	QTY

MODEL EP-410HT WARRANTY

All Huskie REC-Series battery driven products carry a 5 year warranty, and the ECO-Series carry a 3 year warranty. The BP-70E, BP-70EI, and the BP-70MH batteries carry a 5 year warranty from the date stamped on the battery. The LED indicator on the BP-70-EI battery carries a 1 year warranty from purchase date. Hydraulic hammers carry a one year warranty and all other Huskie products carry a 5 year warranty. Huskie reserves the right to determine all warranty claims. Failure due to misuse, abuse or repairs attempted by anyone other than Huskie Tools, Inc., or an authorized service center render this warranty null and void. Our patented drop-out bypass cartridge can be re-calibrated or tested at no charge for the life of the tool. All factory repaired or reconditioned hydraulic tools carry a one year warranty on parts and labor.

REPAIR AND WARRANTY CLAIMS

All claims must be sent to Huskie for inspection and authorization. A Return Goods Authorization is required before shipping tools to Huskie. Secure the authorization by telephoning 1-800-860-6170 or writing to Huskie's main office with details of claim. Non-warranty repairs are handled using the same procedure. Repairs exceeding 50% of the cost of a new tool will be advised before repairs are made.

PLEASE RETAIN FOR YOUR RECORDS

Purchaser's Name

Address

City, State, Zip

Tool Model Number

Serial Number

Date Purchased From

Purchased From

MODEL EP-410HT WARRANTY

HOW TO GET SERVICE UNDER THE TERMS OF THE LIMITED WARRANTY

Return your product directly to Huskie Tools, Inc. as our representative network is not prepared to service the product under the terms of this warranty.

1. Write, call or fax Huskie stating the tool's purchase date and problem. You will be given a RGA # to assure that your merchandise will be properly handled upon its receipt.
2. CAUTION: Make sure the product is packaged adequately so as to prevent damage or loss during transit. The shipment must be prepaid and we recommend that it be insured. A cover letter indicating the reason for the return should be included in order to facilitate repairs.

**SEND THIS PORTION WITH ANY TOOL WHEN REQUESTING REPAIRS,
WARRANTY OR RECONDITIONING WORK.**

PLEASE CALL OR FAX HUSKIE FOR AN RGA#

Customer Job No. _____

Address _____

City _____ **State** _____ **Zip** _____

Tool Model _____

Warranty Claim _____ **Repair Only** _____

Customer Name: _____

Phone (_____) _____

City _____ **State** _____ **Zip** _____

Serial No. _____

Estimate Required: Yes _____ **No** _____



198 N. Brandon Drive
Glendale Heights, Illinois 60139
(630) 893-7755 Fax (800) 345-3767
Toll Free 1-800-860-6170
<http://www.huskiertools.com>
info@huskiertools.com