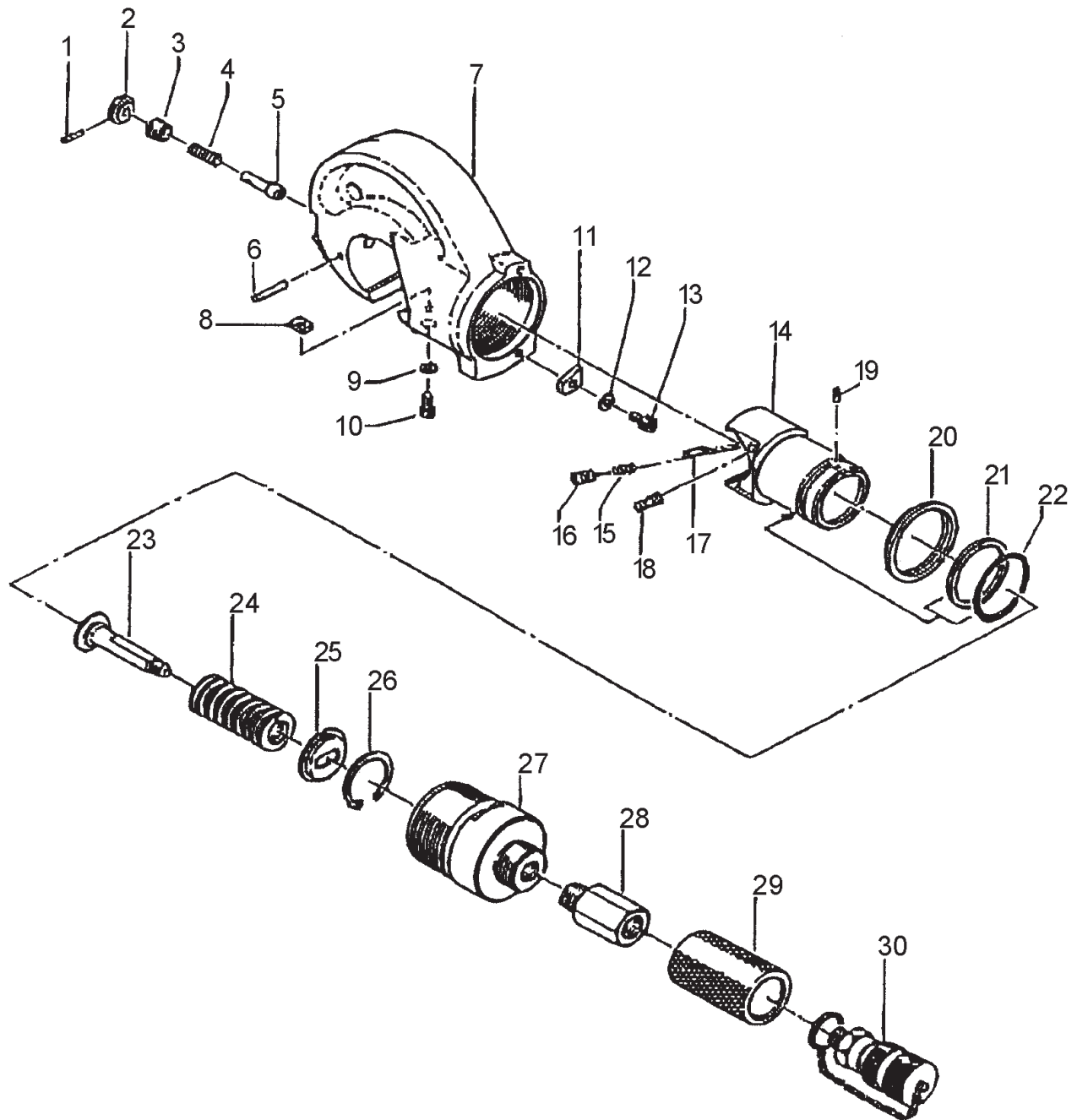




Huskie TOOLS

EP-410HT BREAKDOWN



EP-410HT PARTS LIST

NO.	DESCRIPTION	CODE	QTY
1	2 X 14 DRIVE PIN	75-33	1
2	KNOB	HR-113	1
3	SCREW (16)	510-02	1
4	SPRING (257)	510-03	1
5	RETAINER PIN (A)	HR-114	1
6	2.5 X 24 DOWEL PIN	40U-08	1
7	HEAD (TITANIUM)	410-01	1
8	KEY	510A-06	1
9	M5 LOCK WASHER (SMALL)	510-12	1
10	GUIDE SCREW	510A-15	1
11	STOPPER	410H-01	1
12	M5 LOCK WASHER	410-09	1
13	M5 X 10 SCREW	410H-02	1
14	RAM (LUBNIK)	410-13	1
15	SPRING (177)	410-01	1
16	RETAINER PIN (B)	410-12	1
17	2.5 X 14 DRIVE PIN (BW)	410-11	1
18	DIE RELEASE PIN (B)	410-14	1
19	2.5 X 8 DOWEL PIN (B)	410-17	1
20	DUST SEAL	430-03	1
21	P-40 BACK-UP RING (B.C.)	22-16	1
22	P-40 O-RING (C.P.)	410-70	1
23	RAM SPRING GUIDE	410-18	1
24	SPRING (65)	410-19	1
25	RAM SPRING SUPPORT	410-20	1
26	OV-36 SNAP RING	410-21	1
27	CYLINDER	410-03	1
28	ADAPTER 3/8" PT-M 3/8" NPT	Y30-25	1
29	GRIP	Y30-26	1
30	FEMAL COUPLER RH TYPE	P85-81	1
31	HEAD INSULATION (TITANIUM)	410-76	1